

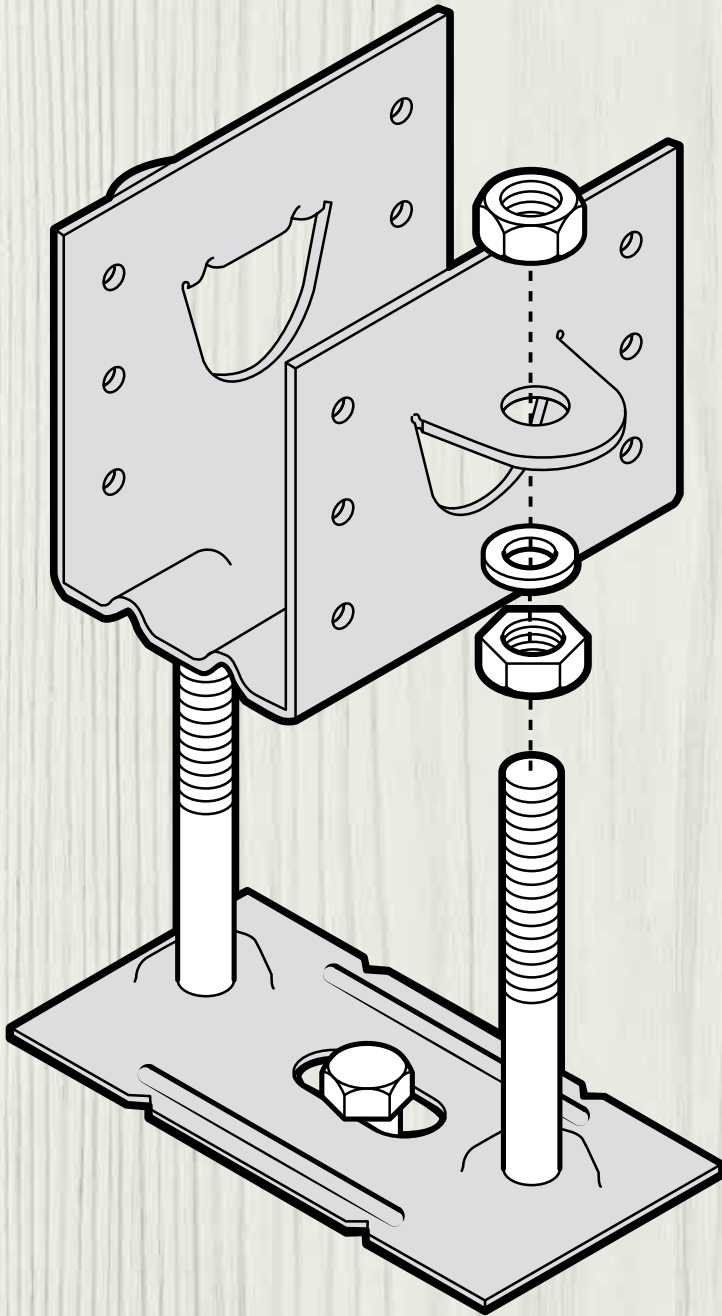
Adjustable Joist Support Kit

FOR DECKS OVER CONCRETE SLABS

KLEVAKLIP™
BUILDING PRODUCTS

Now
available as a
“KIT”

Containing all
bolts, nuts,
washers and
masonry bolts



For many years the **KlevaKlip** Adjustable Joist Support has been the popular choice for builders when building decks over concrete slabs. (approx. 100mm to 200mm)

Now, to make your installation easier, **KlevaKlip** has released a “full kit” version of the product, complete with 100mm long, fully-threaded hex-head bolts, all nuts and washers, and 60 mm long x 10mm diameter masonry bolts.

**All you have
to source is
your timber!**

Adjustable Joist "KIT" versus Standard Adjustable Joist Support product

Advantages

- ✓ Easy sourcing – box contains all the hardware you need to build your structure.
- ✓ Fully threaded 100mm length bolts provide maximum adjustability to cope with your required height and any irregularities in your concrete.
- ✓ Easy for the retailer – no special ordering or calculating of bolts etc, and no problems regarding thread length of stocked bolts.
- ✓ Masonry bolts supplied are easier to use than dynabolts.

Disadvantages - when the customer may be better with "Standard" Adjustable Joist Support product (without nuts and bolts etc)

- ✗ All KIT bolts supplied are 100 mm length – sometimes customers require 120mm length bolts.
- ✗ For top of joist height below 106mm, customers may need to cut off the portion of the bolt protruding above the joist (relevant for 70mm joists).

Box contents (all components hot dip galvanised)

Adjustable Joist KIT contains
 16 Joist supports
 16 Base plates
 32 of 100 mm long x M10 fully threaded hex-head bolts
 64 of M10 hex nuts
 32 of M10 washers
 16 of 60 mm long x M10 masonry bolts

"Standard" Adjustable Joist Support box contains

24 Joist supports
 24 Base plates

Span requirements for base-plate positioning

All based upon "continuous span" with joists at 450mm between centres.

	Recommended Span (mm)	Maximum Span (mm)
70 x 45mm MGP10	800	1200
90 x 45mm MGP10	1000	1500
90 x 45mm MGP12	1200	1600
*120 x 45mm MGP10	1200	1800
*140 x 45mm MGP10	1200	1800

*Joist span limited by lateral loading on bolts

Hex Head Bolt Length	Min Height to Bottom of Joist	Max Height to Bottom of Joist	Min Height to Top of 70/90mm Joist	Max Height to Top of 70/90/140mm Joist
100mm	16mm	60mm	86* / 106mm	130 / 150/200mm
** No Bolt	6mm		76/ 96mm	

* If using bolts at low heights, to prevent the bolts protruding past the top of joist, the end of the bolt will need to be cut off. It is good practice to paint the cut end with metal primer.

** When Using Joist Support Only.

Note:

The KlevaKlip Adjustable Joist Kit is an additional product to the KlevaKlip range of Building Products.

There are no plans to discontinue availability of the "Standard" Adjustable Joist Support product consisting of the joist supports and base plates (24 per box).