

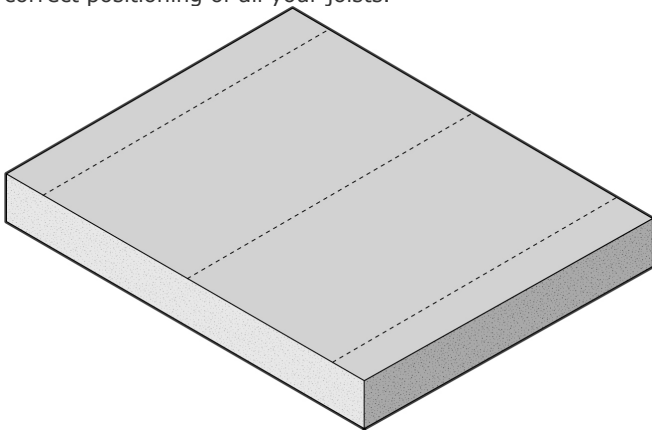


# KlevaKlip Optional Patio Deck Kit Height Adjuster Installation Steps

The Patio Deck Kit Height Adjuster is an optional add-on, which just clips onto the underside of the Patio Deck Kit Base Plate. Compared to the basic Patio Deck Kit, the Height Adjuster gives a minimum height increase of 12mm (approx. equal to a 1:100 "fall" over a 1 metre length), resulting in a "top of joist" height of 46mm, and allows the Patio Deck Kit aluminium joist to be adjusted in small increments to a maximum top of joist height of 68mm. This is perfect for either raising your whole deck, or for taking the "fall" out of your concrete slab.

## Step 1 – Mark Out Joist Positions

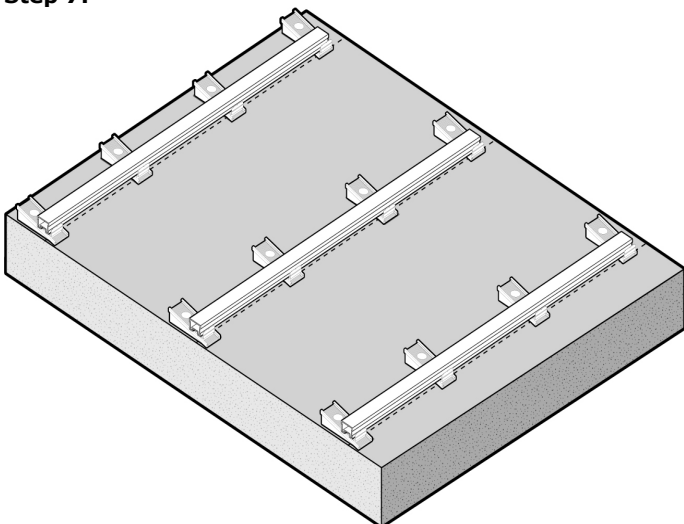
Mark out the correct positions on your concrete slab for the aluminium joists at maximum distance between joists is 450 mm (Australia) or 16 inches (USA). Either use a "straight edge" or run a string line and flick the line between these two marks. You will use these lines for the correct positioning of all your joists.



## Step 3 – Fitting and Adjusting the Height Adjusters

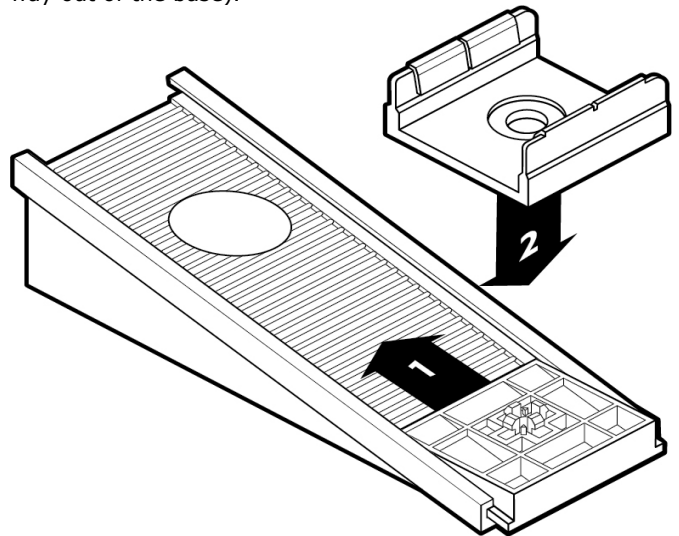
With all the height adjusters set at their lowest height, Clip height adjusters to aluminum joists at approx. 330 mm (13 inches) between centers. Lay out joists on concrete as they should appear in final set-out lining up one side of the aluminium joist to the marked line. Place a spirit level on top of the aluminium joist and, maintaining your joist position, adjust the end height adjusters to the required height, then the adjust the two inner height adjusters, making sure they are sitting flat on the concrete surface. Note – depending upon concrete "fall", the Adjusters may now be in a "staggered" position.

**For details regarding joining of the joists please refer to Step 7.**



## Step 2 – Assemble the Height Adjuster

Starting from lowest end of the Base, line the Top Piece squarely to fit into the outside rails and slide upwards to increase the height. You can also decrease the height by lifting the Top Piece on the high side and sliding backwards. Clip the nylon base plate on to the adjuster and adjust to the lowest height (the top piece will be sitting about a third way out of the base).

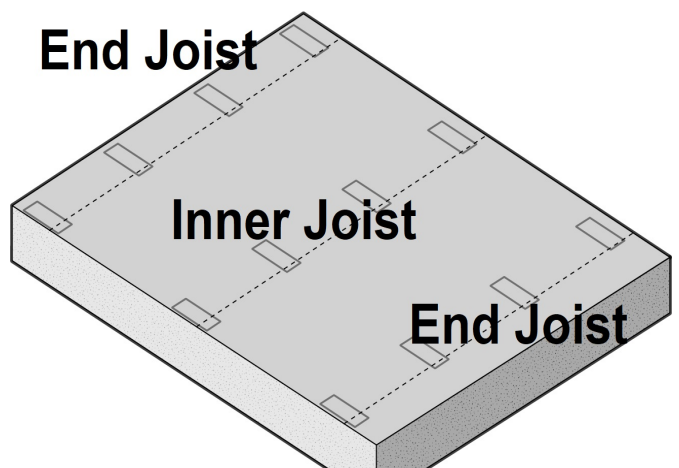


## Step 4 – Etch the Concrete

Etch the areas on the concrete where you intend adhering the Nylon Height Adjusters with a concrete etcher.

## Step 5 – Marking Positions for Height Adjusters

With the joist now in its final position, carefully mark the "outline" position of each Height Adjuster.

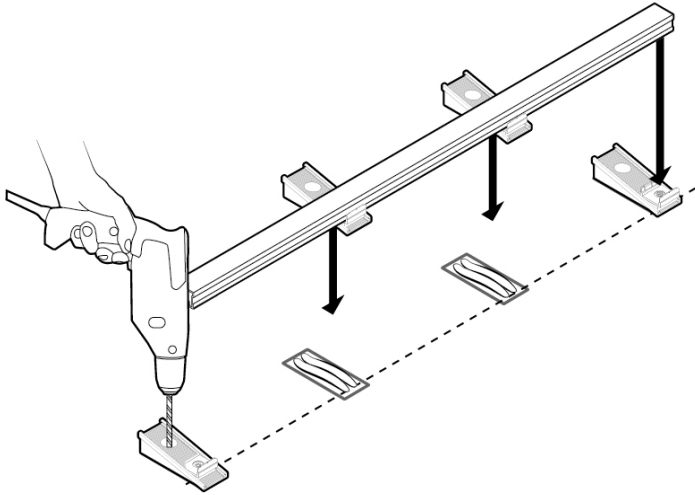


## Step 6A – Fixing Height Adjusters to End Joists with 8mm Masonry Anchors

Provided you don't have a membrane to contend with, for all end joists or end of section joists (eg where breaker boards are used), it's good practise to secure the Height Adjusters with 8 mm masonry anchors at both joist ends. For the remaining Height Adjusters in between both joist ends, these can be fixed to the concrete using approved adhesives.

In some cases, the fixing hole may be covered by the joist - simply mark the position of the Top Piece on the Base and slide off the Height Adjuster from both joist ends.

Line up a "Base" to the marked lines on the concrete and use it as a guide when drilling the 8mm hole. Fit 8 mm masonry anchor at both end bases and re-assemble top piece to its correct position. Apply adhesive for both middle height adjusters then simply press the joist into both nylon base clips then check with a spirit level.



## Step 6C – Fixing Combination Nylon Base clips and Height Adjusters

If simply taking the fall (generally 1:100) out of your deck at the lowest height, the lowest end of your first row of joists should just sit in the Patio Deck Kit Base Clip. The Height Adjuster, set at its lowest level, placed at the other end of the joist should give you a level joist. For the "mid-joist" supports on this first joist, use either a higher bead of adhesive, basic packers, or support the joist with the Height Adjuster without the base clip.

For subsequent joists, adjustment as shown in "Step 3" should resume.

## Step 8 – Fixing the remainder of the Joists

Repeat Steps 5 and either 6A,6B or 6C -for each other row of joists until deck structure is complete. Double-check that all joists are level and also check the level across each joist at various positions before the adhesive has cured.

## Step 9 – Allow Adhesive to Cure

Allow 48 hours for cure – your Patio Deck structure is now ready for you to lay your decking boards.

## Step 10 – Fit End Caps

Gently tap with a hammer or mallet to fit the end caps into the aluminium joists

### Approved Adhesives

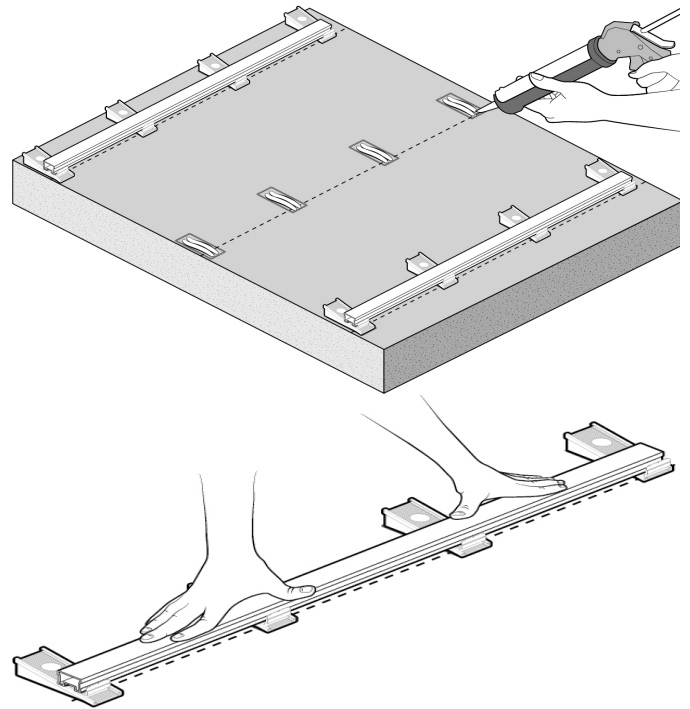
**Soudal T-Rex Power Flexi SMX adhesive**  
**Soudal T-Rex Fast Grab SMX adhesive**

### Coverage

**Aust / NZ: approx. 3.6 sq metres with joists @ 450mm centres**  
**USA: approx. 35 sq feet with joists @ 16 inch centres**

## Step 6B – Fixing Height Adjusters to Inner Joists using Adhesive

Place joist, with Height Adjusters attached, back onto adhesive – push down with medium force, check with a spirit level making sure you one edge of the aluminum joist is on or parallel to the marked line, then allow to set.



## Step 7 – Joining of the Joists Options

### Important:

To allow for maximum thermal expansion of joist, please provide a 1mm gap between joists at ends.

There are two options for joining the joists together:

**Option 1:** Using a single Height Adjuster, making sure join lines up with the notch in the Nylon base clip.

**Option 2:** Using two Height Adjusters next to each other.

