



KlevaKlip Adjustable Joist Support (For building decks over concrete)

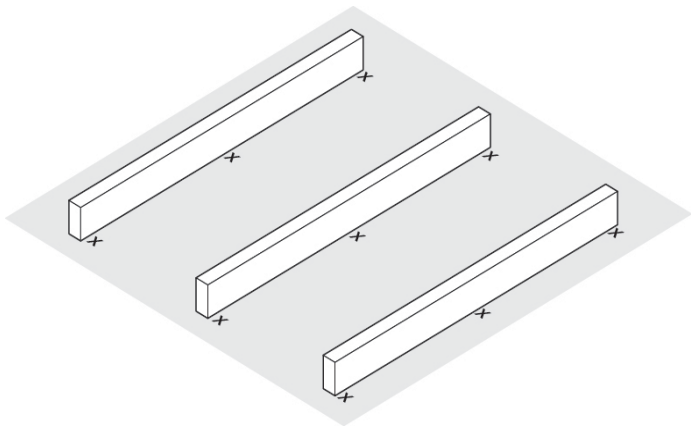
Play Installation DVD at www.klevaklip.com.au

Installation Steps for AJH38G for 2 inch wide (metrically measured at 38mm) timber joists for USA markets

Note: Each Adjustable Joist Support (joist holder + base plate) requires (Galvanised) 2 x 3/8 inch Hex Head Bolts, 4 x 3/8 inch Nuts, 2 x 3/8 inch washers & 1 x 1/2 inch Galvanised Screw Anchor or similar.

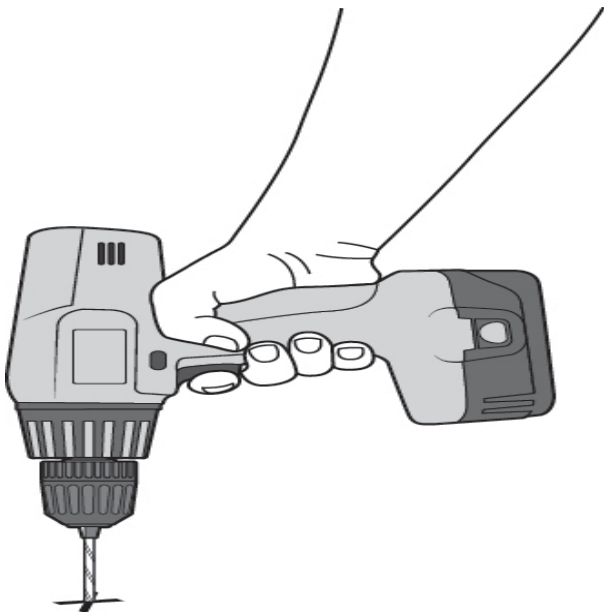
Step 1- Positioning Joist Support Base Plates

Mark out positions for the base plates on the concrete slab (see table for minimum span requirements for 4" and 6" joists) These are all based upon "continuous span" with joists at 16" between centers. Either use a "straight edge" or run a string line from one of the notches in the outer base plates and flick the line for the positions of the internal base plates.



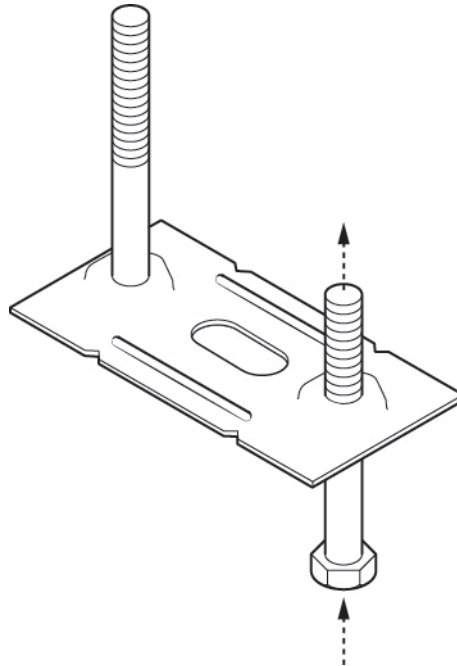
Step 2 - Drill Holes for Base Plates

Drill holes for base plates (or for joist Supports if securing them directly to concrete) using 1/2" masonry bit.



Step 3 - Inserting M10 Hex Head bolt

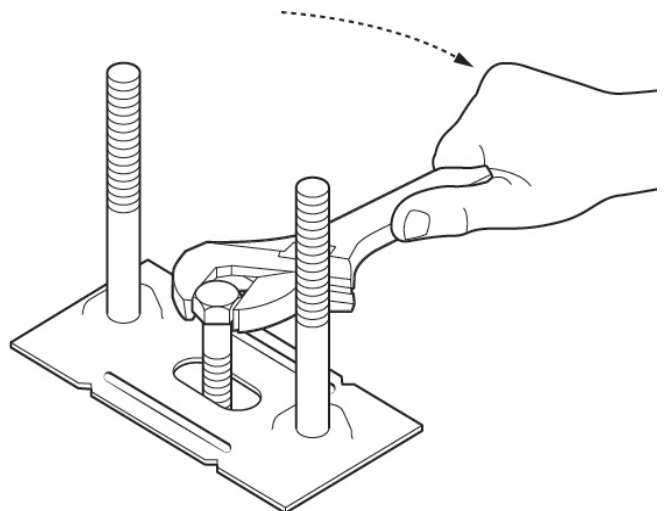
Insert 2 x 3/8" hex-bolt through base plate.
Note: The KlevaKlip Adjustable Joist Support system is designed to provide a "top of the joist" height from 4 1/4 inches (using 2 1/2 inch length bolts + 2 x 4 inch joists) to 8 1/2 inches (using 5 inch length bolts + 2 x 6 inch joists).



Step 4 - Fixing Base Plate

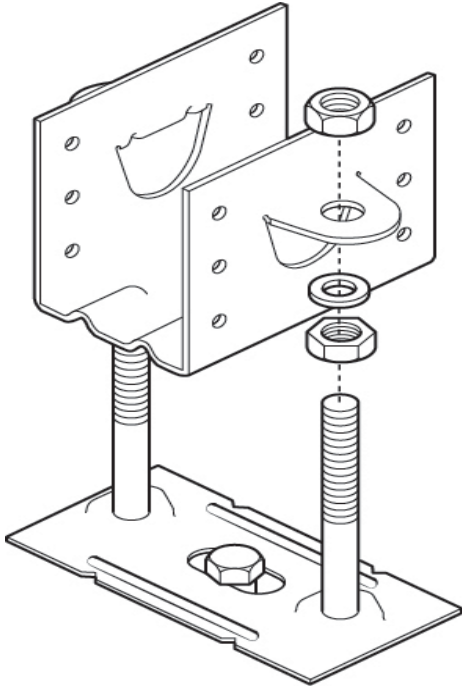
Fix base plate to concrete using 1/2" Galvanized Screw Anchor or similar.
Repeat steps 1 – 4 for all base-plates to be installed.
Tip No. 1 before fully tightening Screw Anchors, either use a straight edge or run a string line along the edge of the base-plate vertical bolts to ensure they line up correctly. Adjust base-plate in the slot if required.

Tip No. 2 Check all base-plates are "square" to the above-mentioned straight edge or stringline



Step 5 - Attach Joist Support

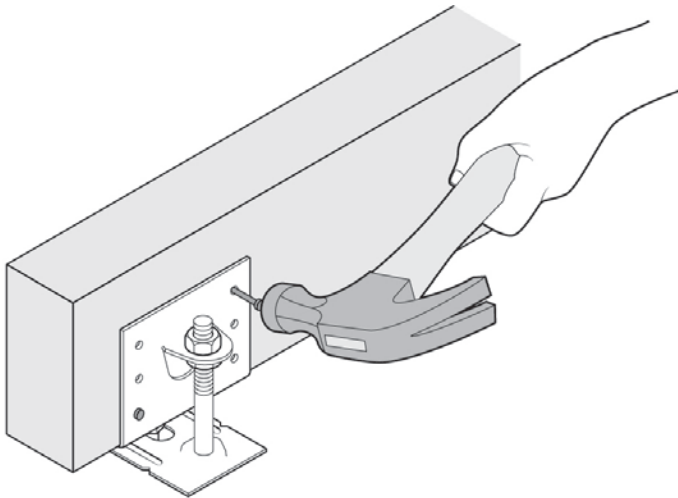
Attach joist Support onto hex bolts and adjust to approx height required. Semi-tighten nuts – this will tighten the whole structure enough to withstand joists being inserted and secured.



Step 6 - Insert Joist into Support

Insert joist into joist Support and secure with minimum 2 of #9 x 1 1/2 inch hot galvanized steel joist hanger nails on each side of the joist Support.

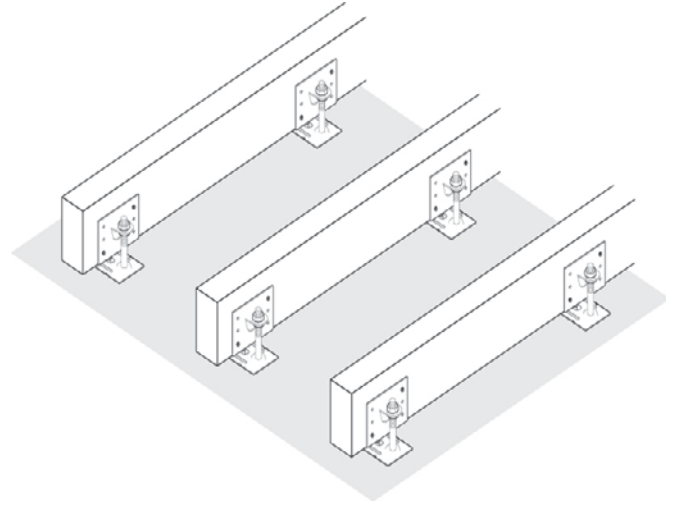
Tip: – when fixing nails, brace the other side of the joist Support with your foot to minimise vibration



Step 7 - Joist Adjustment

Adjust joist to correct height using dumpy or laser-level or string line. (Note – you will need to loosen the nuts off if the joist Support height needs adjusting)

Fully tighten nuts locking the joist Supports.



Load Bearing:

The KlevaKlip Adjustable Joist Support system has been independently tested to support a load bearing capacity of 60 PSF when used at the recommended joist spans listed below.

Corrosion Protection:

KlevaKlip Joist Supports and Base Plates have been hot dip galvanized in accordance with International Standards ISO 1461:2009 and USA Standards ASTM A123.

Span requirements for base-plate positioning

All based upon “continuous span” with joists at 16” between centre’s. All joists should be pressure treated for continuous outdoor use.

Joist Size	Recommended Span (feet)	Maximum Span (feet)
2 x 4 inch	3ft 3in	4ft 11in
2 x 6 inch	4ft	6ft *

* Joist span limited by lateral loading on bolts

What Length 3/8 inch Bolts do you require?

Note: All measurements based on using Galvanised long-threaded Bolts.

Hex Head Bolt Length	Min Height to Bottom of Joist	Max Height to Bottom of Joist	Min Height to Top of 4/6 inch Joist	Max Height to Top of 4/6 inch Joist
2 1/2 inches	5/8 inch	1 inch	4 1/4 / 6 1/4 inch	4 1/2 / 6 1/2 inch
5 inches	3/4 inch	3 1/4 inch	4 1/2* / 6 1/2 inch	6 1/2 / 8 1/2 inch
**No Bolt	1/4 inch		3 3/4 / 5 3/4 inch	

* If using long bolts at low heights, to prevent the bolts protruding past the top of joist, the end of the bolt will need to be cut off.

** When Using Joist Support Only.